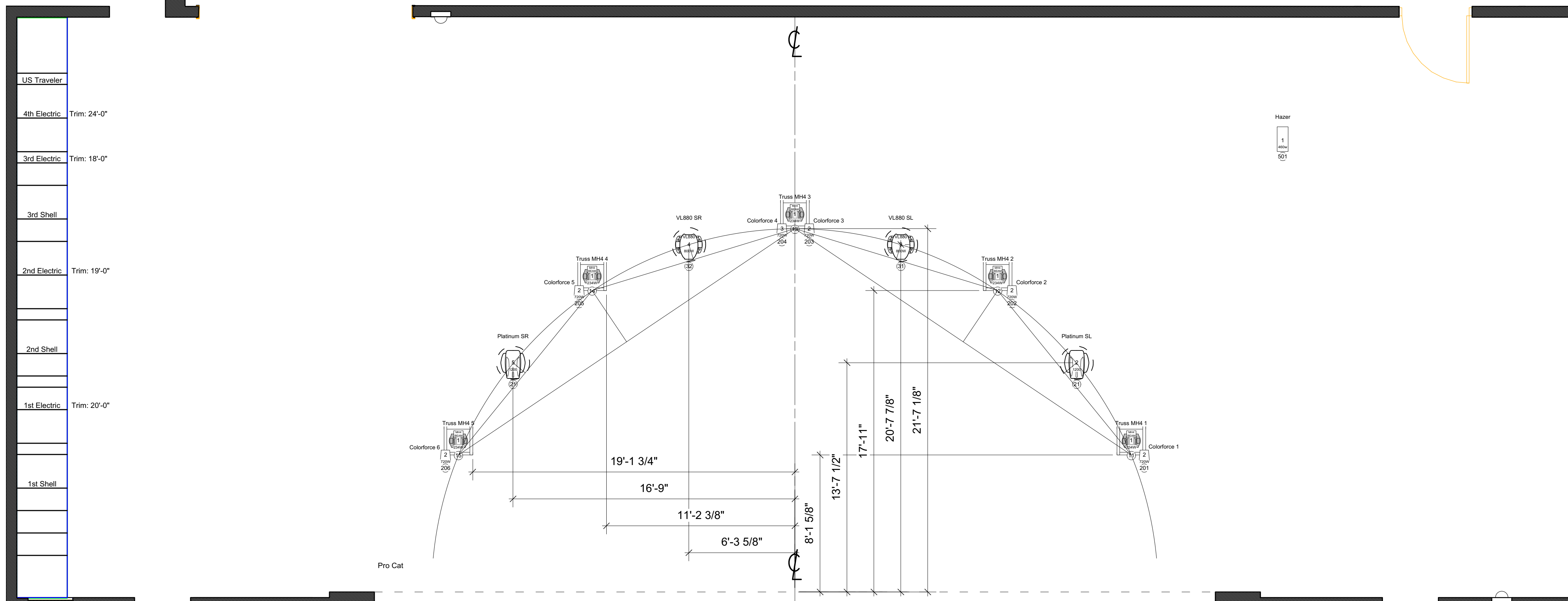
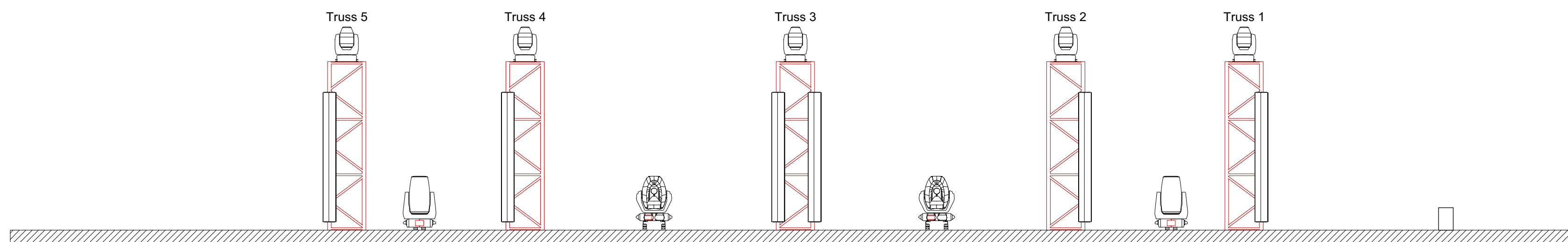


1 Overhead Ground Plan  
Scale: 1/4" = 1'-0"



2 Stage Ground Plan  
Scale: 1/4" = 1'-0"



3 Truss Front View  
Scale: 1/4" = 1'-0"

US Traveler	
4th Electric	Trim: 24'-0"
3rd Electric	Trim: 18'-0"
3rd Shell	
2nd Electric	Trim: 19'-0"
2nd Shell	
1st Electric	Trim: 20'-0"
1st Shell	

US Traveler	
4th Electric	Trim: 24'-0"
3rd Electric	Trim: 18'-0"
3rd Shell	
2nd Electric	Trim: 19'-0"
2nd Shell	
1st Electric	Trim: 20'-0"
1st Shell	

Symbol Key

Light		
	Chroma Q Color Force 72 @ 720w 48 lbs	6
	Chauvet COLORado 2 Quad Zoom Tour @ 205w 17.8 lb	6
	Light Instr Strand LekoLite 36deg @ 750w 19lbs	4
	Altman Ground Cyc Center @ 1kw 10.125 lbs	8
	Altman Ground Cyc Left @ 1kw 10.125 lbs	8
	Altman Ground Cyc Right @ 1kw 10.125 lbs	8
Moving Light		
	Platinum Spot 35 Pro @ 1.2kw 83 lbs	2
	Varilite VL880 Spot @ 800w 56 lb	2
	RUSH MH2 Wash - Hung @ 125w 12.6lbs	12
	RUSH MH4 Beam - Floor @ 234w 30.9lbs	5
	RUSH MH4 Beam - Hung @ 234w 30.9lbs	5
	ETC Revolution @ 750w 74Lbs	2

Typical

	Purpose
	Color
	Unit Number
	Channel

Color Summary

Color	Size	Count
● L071	8 3/4"X13"	8
● N/C	6.25"	4
● R26	8 3/4"X13"	8
● R91	8 3/4"X13"	8

Notes:  
R20 Modules to be placed on circuits 35, 36, 157 thru 162, 195, 196  
Colorforces to be hung vertically on truss, with the top at 6' and the bottom at deck level  
DMX 4 universe node to be placed SR run from the network.

**Fixture Profiles:**  
 Martin RUSH MH4 Beam  
 13 Channel (Only Profile)  
 Elation Platinum 35 Spot PRO  
 41 Channel Extended  
 Varilite VL880  
 30 Channel (Only Profile)  
 Martin RUSH MH2 Wash  
 12 Channel (Only Profile)  
 Chauvet COLORado 2 Quad Zoom Tour  
 17 Channel TR-16  
 Chroma-Q Color Force 72  
 48 Channel RGBA

*This drawing represents visual concepts and construction suggestions. It does not replace the knowledge and advice of a licensed structural engineer. The designer is unqualified to determine the structural appropriateness of this design and shall not assume responsibility for improper engineering or use.*

Illuminations 2019	
Groundplans and Front View	Date : 01/11/2019
Walter C. Deye S.J. Performance Center	Scale : 1/4"=1'-0"
Director : M. Malone	1
Designer : C. Lipstreu	OF
Revisions : Archival 1/11/19	1